



GULFPORT

INDUSTRIES INC.



LOCKS & EXIT DEVICES SECTION

PAGE 45-46

www.gulfport-corp.com

TAMPA FLORIDA USA

tel. 1-800-263-0808

fax. 1-800-663-3800

e-mail. info@gulfport-corp.com





Index

Part Names	Page
1. Frame Anchors	1
2. Hinge Reinforcements	8
3. Reinforcements	12
4. Glazing Bead.....	17
5. Screws	18
6. Lite Kits.....	20
7. Lite Kits & Accessories.....	21
8. Door & Frame Templates	22
9. Louvers	24
10. Astragals	25
11. Fillers	27
12. Shims	30
13. Blank-Blank Doors.....	30
14. Miscellaneous (Gaskets, Capping Channels, Edge Guards, Strike Boxes and more)	31
15. Strikes.....	37
16. Specialty Strikes.....	41
17. Shop Supply	44
18. Locks and Exit Devices.....	45
19. Hardware (Flush Bolts, Surface Bolts, Floor & Wall Stops, Mullions, Kickplates and more)	47
20. Pulls & Pull Plates	53
21. Door Holders.....	54
22. Door Closers	54
23. Latch Protectors.....	55
24. Door Savers	58
25. Thresholds, Weatherstripping, Sweeps.....	64
26. Thermal Break Joiners	68
27. Hinges	70

LOCKS AND EXIT DEVICES

PART NUMBER	DESCRIPTION	ILLUSTRATION
8000 SERIES	GRADE 1 AND 2 CYLINDRICAL KEY-IN-LEVER LOCK (HEAVY DUTY) 3000, 6000 SERIES ALSO AVAILABLE AVAILABLE IN ALL ARCHITECTURAL FINISHES C-UL US LISTED	
7100 SERIES	SOLID STAINLESS STEEL MORTISE LOCK (HEAVY DUTY) AVAILABLE IN ALL ANSI FUNCTIONS AND VARIETY OF FINISHES C-UL US LISTED 3HRS	
7500 SERIES	MILD STEEL MORTISE LOCK (HEAVY DUTY) AVAILABLE IN ALL ANSI FUNCTIONS AND VARIETY OF FINISHES C-UL US LISTED 3HRS	
A2214	HEAVY DUTY SERIES DEADBOLT LOCK FOR DOORS 1 3/8" TO 1 3/4" THICK AVAILABLE IN ALL ARCHITECTURAL FINISHES AND VARIETY OF FUNCTIONS	
1084	HEAVY DUTY SERIES KNOB LATCH FOR DOORS 1 3/8" TO 1 3/4" THICK AVAILABLE IN ALL ARCHITECTURAL FINISHES AND VARIETY OF FUNCTIONS	
N2150	FULL LINE OF PANIC DEVICES FROM ECONOMY LINE TO HEAVY DUTY DEVICES (FIRE AND NON-FIRE RATED) AVAILABLE IN ALL ARCHITECTURAL FINISHES C-UL US LISTED	
300 SERIES	CYLINDRICAL LOCK CYLINDER 6 PIN AVAILABLE IN 26 DIFFERENT KEYWAYS AND SCHLAGE "C" KEYWAYS	
807 SERIES	INTERCHANGEABLE CORE CYLINDER MORTISE, RIM AND ADAMS RITE CYLINDERS PLUS MUCH MORE.	

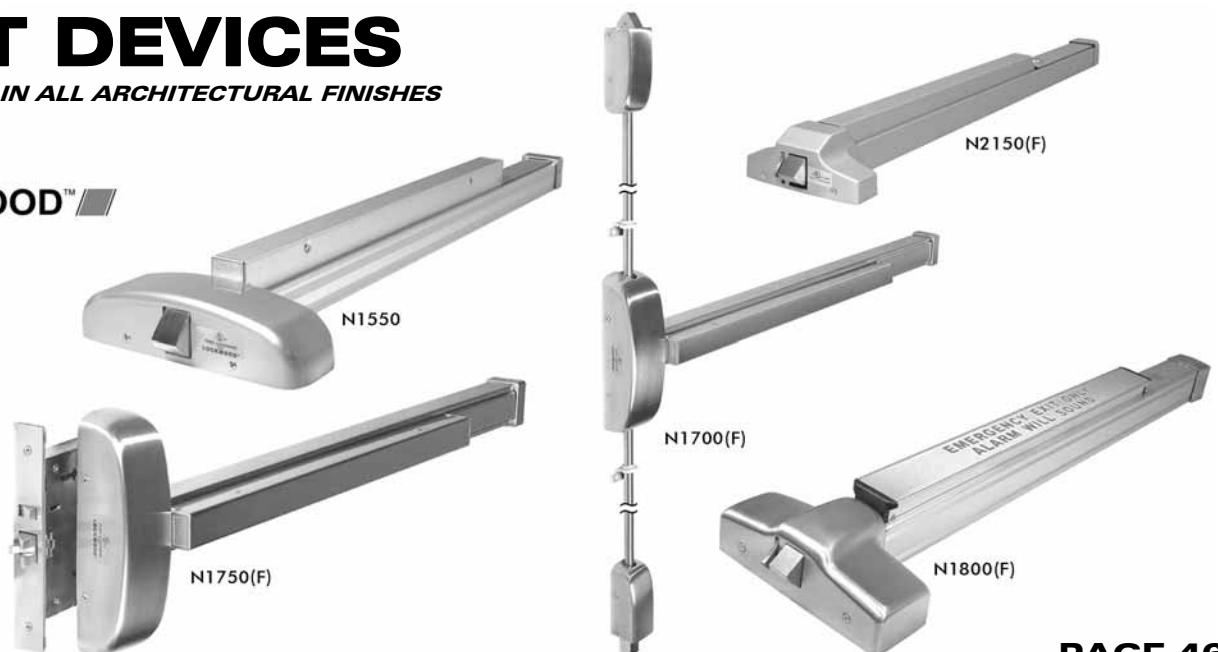
LOCKS AND EXIT DEVICES

PART NUMBER	DESCRIPTION	ILLUSTRATION
951	MORTISE CYLINDER 1 1/8" OR 1 1/4" LENGTHS AVAILABLE IN 26 DIFFERENT KEYWAYS AND SCHLAGE "C" KEYWAYS	 LOCKWOOD™
956	RIM CYLINDER 6 OR 7 PIN AVAILABLE IN 26 DIFFERENT KEYWAYS AND SCHLAGE "C" KEYWAYS	 LOCKWOOD™
ADA KIT	ADA COMPLIANCE KIT ADAPTABLE TO VIRTUALLY ALL MORTISE LOCK MANUFACTURERS IN NORTH AMERICA AVAILABLE IN ALL ARCHITECTURAL FINISHES	 LOCKWOOD™
GBB SERIES	HEAVY DUTY COMMERCIAL GRADE HINGES AVAILABLE IN VARIOUS SIZES, MODELS AND FINISHES <i>UNBELIEVABLE PRICING!</i>	

EXIT DEVICES

AVAILABLE IN ALL ARCHITECTURAL FINISHES

LOCKWOOD™



LOCKWOOD™

exit devices
door closers
cylindrical locks
hinges
thresholds
kick plates
louvers
mortise locks
flush bolts
lite kits
surface bolts



www.lockwood1878.com

1-800-446-1141 (USA/Mexico) ■ 1-888-678-9898 (Canada) ■ info@lockwood1878.com

DISPLAY DOOR



GULFPORT

INDUSTRIES INC.

Tel: 1•800•263•0808

Fax: 1•800•663•3800

Web site: www.gulfport-corp.com

e-mail: info@gulfport-corp.com

Distributed by

