



# GULFPORT

INDUSTRIES INC.



## REINFORCEMENTS AND GLAZING BEAD SECTIONS

PAGE 12-17

[www.gulfport-corp.com](http://www.gulfport-corp.com)

TAMPA FLORIDA USA

tel. 1-800-263-0808









fax. 1-800-663-3800

e-mail. [info@gulfport-corp.com](mailto:info@gulfport-corp.com)








# Index

Part Names	Page
1. Frame Anchors .....	1
2. Hinge Reinforcements .....	8
3. Reinforcements .....	12
4. Glazing Bead.....	17
5. Screws .....	18
6. Lite Kits.....	20
7. Lite Kits & Accessories.....	21
8. Door & Frame Templates .....	22
9. Louvers .....	24
10. Astragals .....	25
11. Fillers .....	27
12. Shims .....	30
13. Blank-Blank Doors.....	30
14. Miscellaneous (Gaskets, Capping Channels, Edge Guards, Strike Boxes and more) .....	31
15. Strikes.....	37
16. Specialty Strikes.....	41
17. Shop Supply .....	44
18. Locks and Exit Devices.....	45
19. Hardware (Flush Bolts, Surface Bolts, Floor & Wall Stops, Mullions, Kickplates and more) .....	47
20. Pulls & Pull Plates .....	53
21. Door Holders.....	54
22. Door Closers .....	54
23. Latch Protectors.....	55
24. Door Savers .....	58
25. Thresholds, Weatherstripping, Sweeps.....	64
26. Thermal Break Joiners .....	68
27. Hinges .....	70






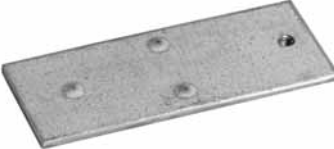
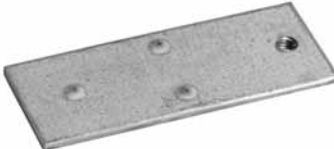

# REINFORCEMENTS

PART NUMBER	DESCRIPTION	ILLUSTRATION
FR 121	<b>CORNER BRACKET FOR FRAMES</b>	
FR 122	<b>ESCUTCHEON SET</b> TO COVER 2 1/8" HOLE UNDER RIM PANIC DEVICE	
FR 161	<b>FLUSH BOLT STRIKE REINFORCEMENTS</b> WORKS IN CONJUNCTION WITH FR160 (SEE STRIKE SECTION)	
FR 181	<b>CASED OPEN SPAT</b> REINFORCES BOTTOM OF FRAME STAINLESS STEEL, ALSO AVAILABLE IN OTHER FINISHES. SPAT SHOWN WITH 1/2" RETURNS.  SPECIFY JAMB DEPTH, HEIGHT, FINISH, WITH OR WITHOUT RETURNS WHEN ORDERING.	
FR 182	<b>FRAME SPAT</b> REINFORCES BOTTOM OF FRAME STAINLESS STEEL, ALSO AVAILABLE IN OTHER FINISHES. SPAT SHOWN WITH 1/2" RETURNS.  SPECIFY JAMB DEPTH, HEIGHT, FINISH, WITH OR WITHOUT RETURNS WHEN ORDERING.	
FR 270A	<b>CLOSER REINFORCEMENT</b> STRIP TYPE (12" X 1 3/4" X 16GA) OTHER SIZES ALSO AVAILABLE, CONTACT US FOR DETAILS.  ~ 100, 250 OR 500 PER BOX	
FR 270B	<b>CLOSER REINFORCEMENT</b> HEAVY DUTY STRIP TYPE (12" X 1 3/4" X 1/8") OTHER SIZES ALSO AVAILABLE, CONTACT US FOR DETAILS.  ~ 500 PER BOX	
FR 272	<b>CLOSER REINFORCEMENT FULL PROFILE, 14" LONG</b> VIRTUALLY ALL JAMB DEPTHS AND LENGTHS AVAILABLE, SPECIFY WHEN ORDERING.  ~ 40 PER BOX	









# REINFORCEMENTS

PART NUMBER	DESCRIPTION	ILLUSTRATION
<b>FR 273</b>	<b>CLOSER REINFORCEMENT HALF PROFILE, 14" LONG</b> VIRTUALLY ALL SIZES AVAILABLE. SPECIFY RABBET AND SOFFIT WIDTH AND LENGTH REQUIREMENTS. CONTACT US FOR DETAILS AND PRICING. <i>~ 50 OR 100 PER BOX</i>	
<b>FR 590</b>	<b>REINFORCING CLIP</b> HIGH FREQUENCY CLIP	
<b>FR 620</b>	<b>MOUNTING CLIP</b> FOR TRANSOM PANEL	
<b>FR 621</b>	<b>DEAD LOCK STRIKE REINFORCING PLATE</b>	
<b>FR 622</b>	<b>86 CONVERSION PLATE</b>	
<b>FR 623</b>	<b>ASA REINFORCING PLATE</b> AVAILABLE WITH OR WITHOUT WELDING DIMPLES, SPECIFY WHEN ORDERING. <i>~ 50, 100 OR 200 PER BOX</i>	
<b>FR 692</b>	<b>DOOR JAMB REINFORCEMENT</b> MAINLY USED TO REPAIR DAMAGED FRAMES DUE TO VANDALISM OR FATIGUE. THIS UNIT CAN ALSO BE USED AS AN ADDED REINFORCEMENT TO A WOOD FRAME. STANDARD LENGTHS: 24", 36" AND 72". AVAILABLE IN STEEL, STAINLESS STEEL, BRASS AND BRONZE.	



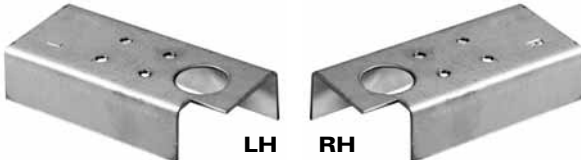





# REINFORCEMENTS

PART NUMBER	DESCRIPTION	ILLUSTRATION
<p><b>DR 120</b></p>	<p><b>FLUSH BOLT REINFORCEMENT</b>            2 - 8/32 TH'D            AVAILABLE WITH OR WITHOUT WELDING DIMPLES,            SPECIFY WHEN ORDERING.            ~ 400 PER BOX</p>	
<p><b>DR 130</b></p>	<p><b>DEAD LOCK REINFORCEMENT</b>            1 - 8/32 TH'D            7/8" (w) X 2 17/32" (l)            AVAILABLE WITH OR WITHOUT WELDING DIMPLES,            SPECIFY WHEN ORDERING.            ~ 400 PER BOX</p>	
<p><b>DR 130 C</b></p>	<p><b>ASA STRIKE REINFORCEMENT</b>            1 - 12/24 TH'D            7/8" (w) X 2 17/32" (l)            AVAILABLE WITH OR WITHOUT WELDING DIMPLES,            SPECIFY WHEN ORDERING.            ~ 400 PER BOX</p>	
<p><b>DR 130 D</b></p>	<p><b>DEAD LOCK REINFORCEMENT</b>            1 - 8/32 TH'D            1 1/4" (w) X 3 1/4" (l)            AVAILABLE WITH OR WITHOUT WELDING DIMPLES,            SPECIFY WHEN ORDERING.            ~ 200 PER BOX</p>	
<p><b>DR 130 E</b></p>	<p><b>ASA STRIKE REINFORCEMENT</b>            1 - 12/24 TH'D            1 1/4" (w) X 3 1/4" (l)            AVAILABLE WITH OR WITHOUT WELDING DIMPLES,            SPECIFY WHEN ORDERING.            ~ 200 PER BOX</p>	
<p><b>FR 130 PW</b></p>	<p><b>DEAD LOCK REINFORCEMENT <u>FLAT</u></b>            1 - 8/32 TH'D            1 1/4" (w) X 3 1/4" (l)            AVAILABLE WITH OR WITHOUT WELDING DIMPLES,            SPECIFY WHEN ORDERING.            ~ 200 PER BOX</p>	
<p><b>FR 130 C PW</b></p>	<p><b>ASA STRIKE REINFORCEMENT <u>FLAT</u></b>            1 - 12/24 TH'D            1 1/4" (w) X 3 1/4" (l)            AVAILABLE WITH OR WITHOUT WELDING DIMPLES,            SPECIFY WHEN ORDERING.            ~ 200 PER BOX</p>	
<p><b>DR 140</b></p>	<p><b>MORTISE LOCK REINFORCEMENT</b>            1 - 12/24 TH'D            AVAILABLE WITH OR WITHOUT WELDING DIMPLES,            SPECIFY WHEN ORDERING.            ~ 450 PER BOX</p>	

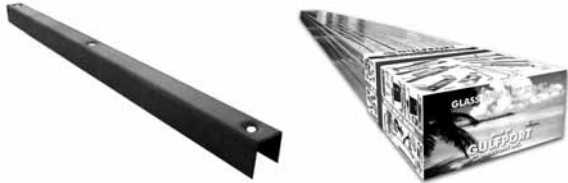
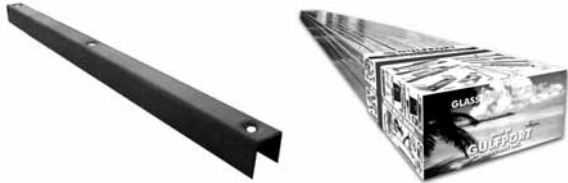




# REINFORCEMENTS

PART NUMBER	DESCRIPTION	ILLUSTRATION
<b>DR 142</b>	<b>POWER TRANSFER REINFORCEMENT</b> 3 - 10/32 TH'D 1 1/4" (w) X 2 1/2" (l), 14 GA WITH 1/8 OFFSET OTHER OFFSET AVAILABLE, SPECIFY WHEN ORDERING.	
<b>DR 150</b>	<b>ESCUTCHEON SET</b> TO COVER 2 1/8" 161 HOLE	
<b>DR 152</b>	<b>ESCUTCHEON SET</b> TO COVER 1 1/2" DEADBOLT HOLE	
<b>DR 160</b>	<b>LOCK PUNCHOUT (FOR 161 LOCK)</b> 2 1/8" DIA. PRIMED OR STAINLESS STEEL, ALSO AVAILABLE IN OTHER FINISHES. SPECIFY WHEN ORDERING.	
<b>DR 161</b>	<b>DEADBOLT PUNCHOUT (FOR DEADBOLT)</b> 1 1/2" DIA. PRIMED, ALSO AVAILABLE IN OTHER FINISHES. SPECIFY WHEN ORDERING.	
<b>DR 161 A</b>	<b>DEADBOLT PUNCHOUT (FOR DEADBOLT)</b> 2 1/8" DIA. PRIMED, ALSO AVAILABLE IN OTHER FINISHES. SPECIFY WHEN ORDERING.	
<b>DR 180</b>	<b>CONVERSION FILLER PLATE</b> CONVERTS 86 EDGE TO 161 LATCH EDGE  <i>~ 10, 25, 50 OR 100 PER BOX</i>	
<b>DR 190</b>	<b>CONVERSION FILLER PLATE</b> CONVERTS 86 EDGE TO ASA STRIKE  <i>~ 10, 25, 100 OR 150 PER BOX</i>	

# REINFORCEMENTS

PART NUMBER	DESCRIPTION	ILLUSTRATION
<b>DR 200</b>	<b>FLUSH BOLT DOOR GUIDE</b>	
<b>DR 201</b>	<b>FLUSH BOLT DOOR GUIDE (REVERSIBLE)</b> 4 - 8/32" TH'D <i>~ 100, 300 OR 400 PER BOX</i>	
<b>DR 201 H</b>	<b>LH/RH FLUSH BOLT DOOR GUIDE (HANDED)</b> 4 - 8/32" TH'D FORMERLY BT48 SPECIFY HANDING WHEN ORDERING. <i>~ 100 OR 200 PER BOX</i>	
<b>DR 210</b>	<b>CYLINDRICAL LOCK REINFORCING UNIT</b> COMES WITH BARREL SUPPORT, LOCK AND REINFORCEMENT. YOU CAN ORDER THEM SEPARATELY. SPECIFY PARTS WHEN ORDERING. <i>~ LOCK ONLY: 100, 300 OR 800 PER BOX</i> <i>~ BARREL SUPPORT ONLY: 150 OR 1000 PER BOX</i>	
<b>DR 350</b>	<b>MORTISE LOCK FILLER PLATE (86 EDGE FILLER)</b> 1 1/4" X 8" <i>~ 50 OR 100 PER BOX</i>	
<b>DR 320</b>	<b>U CHANNEL</b> 3/4" X 1 3/4" FOR REINFORCING STEEL DOORS IN LISTED GLASS FRAME APPLICATIONS. SOLD 10' LENGTHS AND CUT-TO-SIZE. SPECIFY WHEN ORDERING. <i>~ 10 PER BUNDLE</i>	
<b>FR 131</b>	<b>WELD-IN CORNER TAB</b> 5/8" X 7/16" (lip) X 1 13/16" (wide) FOR STANDARD 2" FACE FRAMES.	
<b>FR 132</b>	<b>WELD-IN CORNER TAB</b> 5/8" X 7/16" (lip) X 3 13/16" (wide) FOR 4" PROFILE FRAMES.	

# GLAZING BEAD

PART NUMBER	DESCRIPTION	ILLUSTRATION
<b>FR 320</b>	<b>GLAZING BEAD WITH HOLES</b> 10' X 5/8" X 1/2" WITH HOLES AT 7" CENTERS <i>~ 100 PER BUNDLE</i>	
<b>FR 320 A</b>	<b>GLAZING BEAD WITHOUT HOLES</b> 10' X 5/8" X 1/2" <i>~ 100 PER BUNDLE</i>	
<b>FR 320 B</b>	<b>GLAZING BEAD WITH HOLES</b> 10' X 5/8" X 5/8" WITH HOLES AT 7" CENTERS <i>~ 100 PER BUNDLE</i>	
<b>FR 320 C</b>	<b>GLAZING BEAD WITHOUT HOLES</b> 10' X 5/8" X 5/8" <i>~ 100 PER BUNDLE</i>	
<b>FR 320 D</b>	<b>GLAZING BEAD</b> 8' X 3/4" X 3/4" WITH HOLES AT 7" CENTERS OR WITHOUT HOLES SPECIFY WHEN ORDERING.	
<b>FR 320 E</b>	<b>GLAZING BEAD</b> 8' X 5/8" X 1" WITH HOLES AT 7" CENTERS OR WITHOUT HOLES SPECIFY WHEN ORDERING.	

**WE ALSO MANUFACTURE  
GLAZING BEAD 5/8" X 3/8"  
WITH OR WITHOUT HOLES**



## ***CUSTOM GLAZING BEAD***

*WE MANUFACTURE OTHER TYPES AND PROFILES OF GLAZING BEAD IN  
STEEL, STAINLESS STEEL, BRASS, AND BRONZE.  
CONTACT US FOR DETAILS.*

# LOCKWOOD™

exit devices

door closers

cylindrical locks

hinges

thresholds

kick plates

louvers

mortise locks

flush bolts

lite kits

surface bolts



www.lockwood1878.com

1-800-446-1141 (USA/Mexico) ■ 1-888-678-9898 (Canada) ■ info@lockwood1878.com

# DISPLAY DOOR





# **GULFPORT**

**INDUSTRIES INC.**

Tel: 1•800•263•0808

Fax: 1•800•663•3800

Web site: [www.gulfport-corp.com](http://www.gulfport-corp.com)

e-mail: [info@gulfport-corp.com](mailto:info@gulfport-corp.com)

**Distributed by**

